

PLEASE CHECK WWW.MOLEX.COM FOR LATEST PART INFORMATION

Part Number: [0460071105](#)
Status: **Active**
Description: 7.50mm (.295") Pitch Sabre™ Header, Single Row, Right Angle, 5 Circuits, PC Tail Length 5.33mm (.210"), without Snap-In Metal Pins, with Tin (Sn) Plating

Documents:

3D Model	Product Specification PSX-44441-9999 (PDF)
Packaging Specification (PDF)	RoHS Certificate of Compliance (PDF)
Drawing (PDF)	

Agency Certification

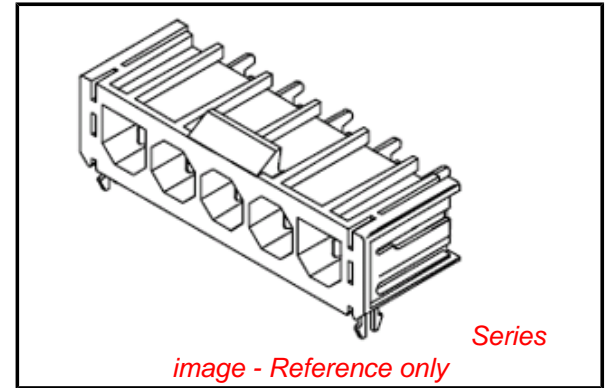
UL E29179

General

Product Family	PCB Headers
Series	46007
Application	Wire-to-Board
Comments	Fully Polarized, Meets UL 1950 Finger Proof Standard
Product Literature Order No	USA-113
Product Name	Sabre™

Physical

Breakaway	No
Circuits (Loaded)	5
Circuits (maximum)	5
Color - Resin	Black
Durability (mating cycles max)	25
First Mate / Last Break	No
Flammability	94V-0
Glow-Wire Compliant	No
Guide to Mating Part	No
Keying to Mating Part	None
Lock to Mating Part	Yes
Material - Metal	Brass
Material - Plating Mating	Tin
Material - Plating Termination	Tin
Material - Resin	High Temperature Thermoplastic
Number of Rows	1
Orientation	Right Angle
PC Tail Length (in)	0.150 In
PC Tail Length (mm)	3.81 mm
PCB Locator	No
PCB Retention	Yes
PCB Thickness Recommended (in)	0.062 In
PCB Thickness Recommended (mm)	1.60 mm
Packaging Type	Tray
Pitch - Mating Interface (in)	0.295 In
Pitch - Mating Interface (mm)	7.50 mm
Plating min: Mating (µin)	35
Plating min: Mating (µm)	0.88
Plating min: Termination (µin)	35
Plating min: Termination (µm)	0.88
Polarized to Mating Part	Yes
Polarized to PCB	Yes
Shrouded	Fully
Stackable	No



EU RoHS

ELV and RoHS Compliant
REACH SVHC
 Not Reviewed
Halogen-Free Status
 Not Reviewed

China RoHS



Need more information on product environmental compliance?

Email productcompliance@molex.com
 For a multiple part number RoHS Certificate of Compliance, [click here](#)

Please visit the [Contact Us](#) section for any non-product compliance questions.

Search Parts in this Series

[46007Series](#)

Mates With

[44441-2005](#)

Surface Mount Compatible (SMC)	No
Temperature Range - Operating	-40°C to +75°C
Termination Interface: Style	Through Hole

Electrical

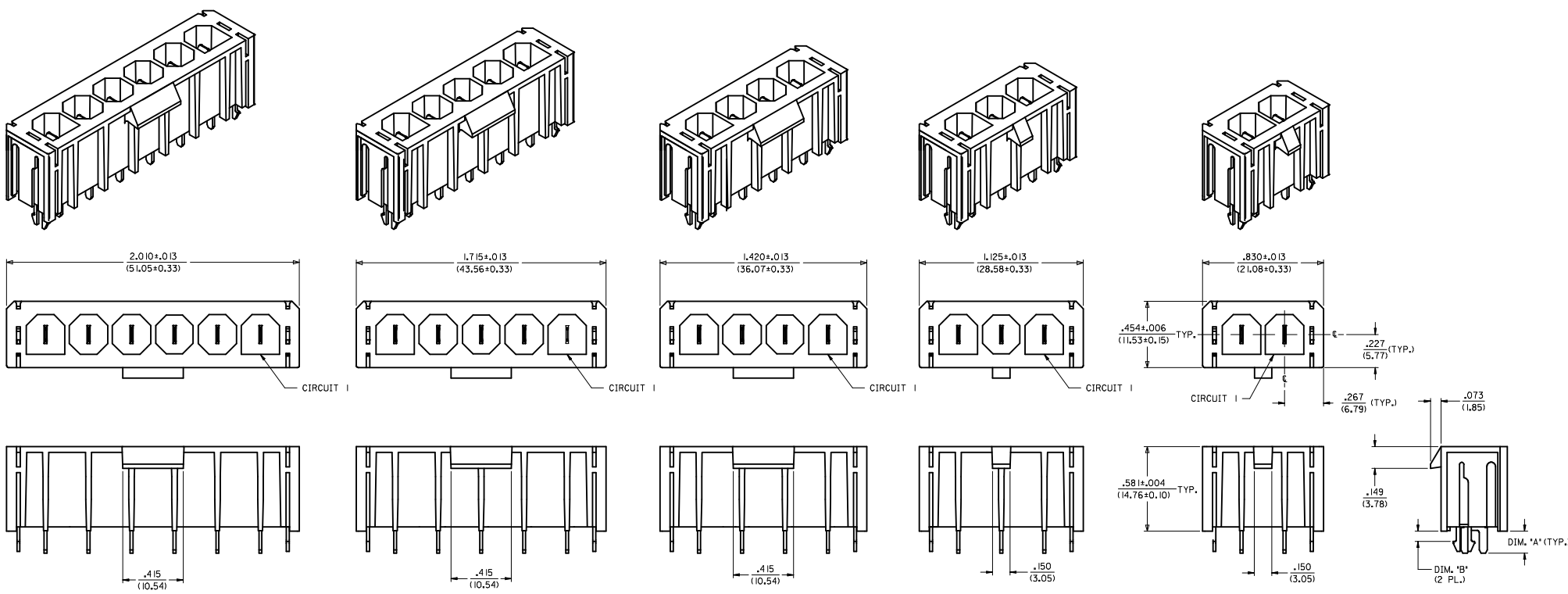
Current - Maximum per Contact	18A
Voltage - Maximum	600V

Material Info**Reference - Drawing Numbers**

Product Specification	PSX-44441-9999
Sales Drawing	SD-46007-001

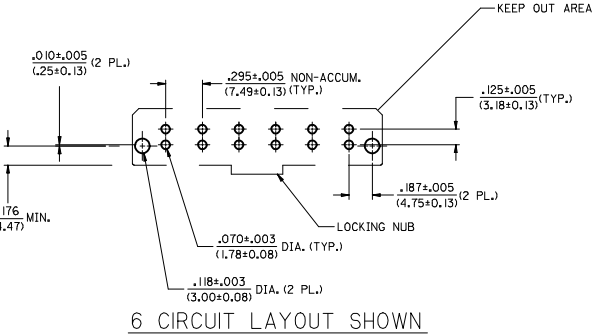
This document was generated on 04/21/2010

PLEASE CHECK WWW.MOLEX.COM FOR LATEST PART INFORMATION



SEE SHEET 2 AND 3 FOR ITEM NUMBER CHART

RECOMMENDED P.C. BOARD LAYOUT FOR VERTICAL HEADERS
SCALE 2:1

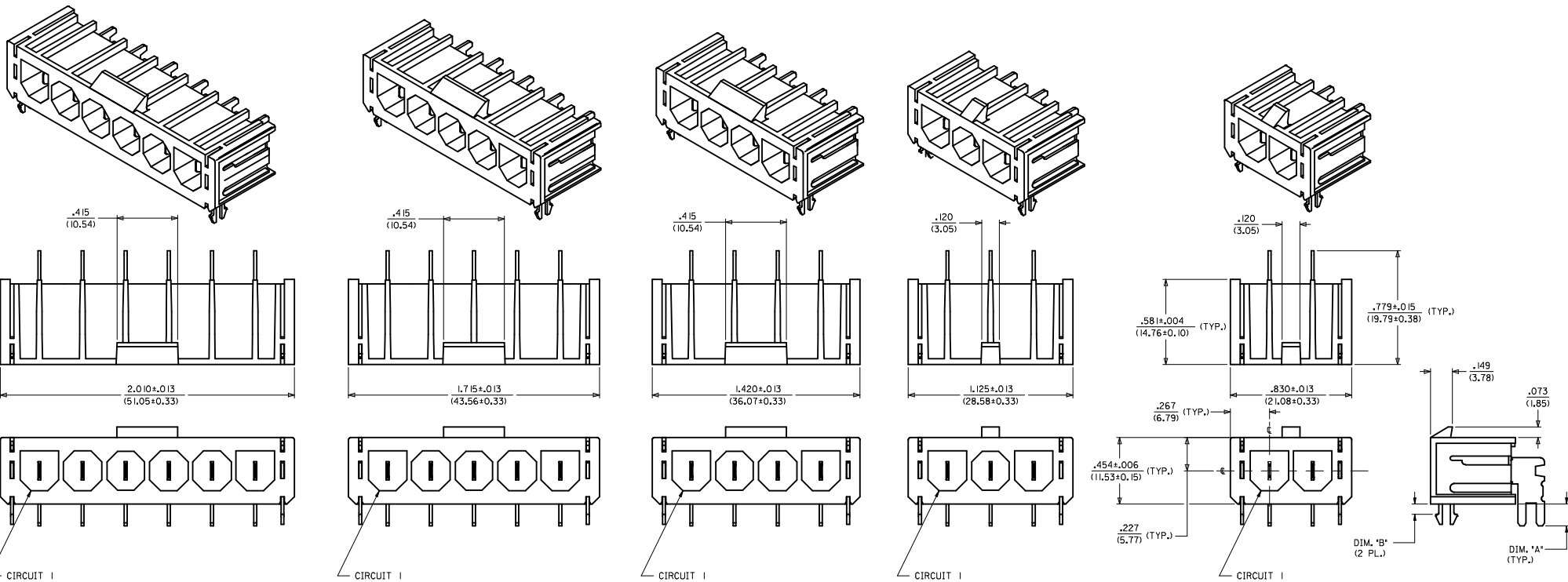


- NOTES:**
- INSULATOR MATERIAL (SEE CHART):
A = 30% GLASS FILLED 46 NYLON, 94V-0, COLOR: BLACK.
TERMINAL MATERIAL: C26000 BRASS
 - TERMINAL FINISH: 35 MICROINCH (0.88 MICROMETER) MINIMUM TIN OVER 20 MICROINCH (0.50 MICROMETER) MINIMUM COPPER.
* THE PRIMARY SHIPPING CARTON WILL BE LABELED "COMPLIANT TO RoHS DIRECTIVE 2002/95/EC AND ELV ANNEX II OF DIRECTIVE 2000/53/EC." CARTONS WITHOUT THIS LABEL MAY CONTAIN PRODUCT WITH TIN-LEAD IN THE PC TAILS.
 - PRODUCT SPECIFICATION: PSX-44441-9999.
 - PACKAGING: SEE CHART.
 - THESE HEADERS MATE WITH 43179, 43335, OR 44441 RECEPTACLE HOUSINGS.
 - UL 1950 COMPLIANT 46007 SERIES HEADERS ARE SIMILAR TO STANDARD LINE 43160 SERIES HEADERS EXCEPT HAVING TERMINALS WHICH ARE RECESSED MORE TO ALLOW HEADERS TO MEET UL 1950 PROBE REQUIREMENTS.
 - SEE SHEETS 1, 2 AND 3 FOR VERTICAL HEADER ASSEMBLY AND THEIR RESPECTIVE PART NUMBERS.
 - SEE SHEETS 4, 5 AND 6, FOR RIGHT ANGLE HEADER ASSEMBLIES AND THEIR RESPECTIVE PART NUMBERS.
 - TERMINALS ARE ON .295/(7.49) CENTERLINE SPACING.
 - DIMENSIONS ARE FOR REFERENCE ONLY, UNLESS INDICATED OTHERWISE.

SOLDER TAIL	DIM. "A" ±.020/(0.51)
SHORT	.150/(3.81)
LONG	.210/(5.33)

BOARD LOCK	DIM. "B" ±.004/(0.15)
.062	.070/(1.78)
.094	.102/(2.59)
.125	.133/(3.38)

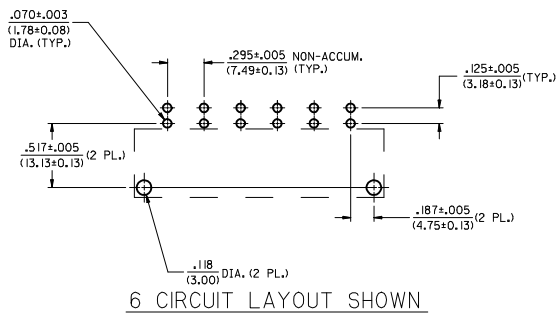
<p>REMOVE 94V-2 MATL EC NO: UCP2009-0067 DRAWN: KOSTER/2009/03/05 CHKD: AEL/HAG 2009/03/05 APPR: FSW/TH 2009/03/05</p>	<p>QUALITY SYMBOLS </p>	<p>GENERAL TOLERANCES (UNLESS SPECIFIED)</p> <table border="1"> <thead> <tr> <th></th> <th>mm</th> <th>INCH</th> </tr> </thead> <tbody> <tr> <td>4 PLACES</td> <td>±.005</td> <td>±.005</td> </tr> <tr> <td>3 PLACES</td> <td>±.010</td> <td>±.010</td> </tr> <tr> <td>2 PLACES</td> <td>±.015</td> <td>±.015</td> </tr> <tr> <td>1 PLACE</td> <td>±.025</td> <td>±.025</td> </tr> </tbody> </table> <p>ANGULAR ±1/2°</p>		mm	INCH	4 PLACES	±.005	±.005	3 PLACES	±.010	±.010	2 PLACES	±.015	±.015	1 PLACE	±.025	±.025	<p>DIMENSION STYLE IN/MM</p> <p>SCALE 3:1</p> <p>DESIGN UNITS INCH</p> <p>THIRD ANGLE PROJECTION</p>
		mm	INCH															
	4 PLACES	±.005	±.005															
	3 PLACES	±.010	±.010															
2 PLACES	±.015	±.015																
1 PLACE	±.025	±.025																
<p>DRAFT WHERE APPLICABLE MUST REMAIN WITHIN DIMENSIONS</p>	<p>DRAWN BY CSTEWART</p> <p>CHECKED BY</p> <p>DATE 04/28/05</p>	<p>TITLE SABRE HEADER ASSY VERTICAL, 2-6 & 8 CIR. UL 1950 COMPLIANT</p>	<p>MATERIAL NO. SEE CHART</p> <p>DOCUMENT NO. SD-46007-001</p>															
<p>REVISIONS</p>	<p>APPROVED BY</p> <p>DATE</p>	<p>MOLEX INCORPORATED</p>	<p>SHEET NO. 1 OF 6</p>															
<p>THIS DRAWING CONTAINS INFORMATION THAT IS PROPRIETARY TO MOLEX INCORPORATED AND SHOULD NOT BE USED WITHOUT WRITTEN PERMISSION</p>	<p>SIZE D</p>	<p>DATE</p>	<p>DATE</p>															



SEE SHEET 5 AND 6 FOR ITEM NUMBER CHART

RECOMMENDED P.C. BOARD LAYOUT FOR RIGHT ANGLE HEADERS

SCALE 2:1



6 CIRCUIT LAYOUT SHOWN

NOTES:

- INSULATOR MATERIAL (SEE CHART)
A = 30% GLASS-FILLED 46 NYLON-0, COLOR: BLACK
TERMINAL MATERIAL: C26000 BRASS
- TERMINAL FINISH: 35 MICROINCH (0.88 MICROMETER) MINIMUM TIN OVER
20 MICROINCH (0.50 MICROMETER) MINIMUM COPPER.
* THE PRIMARY SHIPPING CARTON WILL BE LABELED
"COMPLIANT TO RoHS DIRECTIVE 2002/95/EC
AND ELV ANNEX II OF DIRECTIVE 2000/53/EC."
CARTONS WITHOUT THIS LABEL MAY CONTAIN
PRODUCT WITH TIN-LEAD IN THE PC TAILS.
- PRODUCT SPECIFICATION: PSX-44441-9999.
- PACKAGING: SEE CHART.
- THESE HEADERS MATE WITH 43179, 43335, OR 44441 RECEPTACLE HOUSINGS.
- UL 1950 COMPLIANT 46007 SERIES HEADERS ARE SIMILAR TO STANDARD LINE
43160 SERIES HEADERS EXCEPT HAVING TERMINALS WHICH ARE RECESSED
MORE TO ALLOW HEADERS TO MEET UL 1950 PROBE REQUIREMENTS.
- SEE SHEETS 1, 2 AND 3 FOR VERTICAL HEADER ASSEMBLIES AND THEIR
RESPECTIVE PART NUMBERS.
- SEE SHEETS 4, 5 AND 6 FOR RIGHT ANGLE HEADER ASSEMBLIES AND
THEIR RESPECTIVE PART NUMBERS.
- TERMINALS ARE ON .295/(7.49) CENTERLINE SPACING.
- DIMENSIONS ARE FOR REFERENCE ONLY, UNLESS INDICATED OTHERWISE.

SOLDER TAIL	DIM. 'A' ±.01/(0.28)
SHORT	.150/(3.81)
LONG	.210/(5.33)

BOARD LOCK	DIM. 'B' ±.004/(0.10)
.062	.070/(1.78)
.094	.102/(2.59)
.125	.133/(3.38)

REMOVE 94V-2 MATL EC NO. UCF2009-0067 DRAWN BY: KJOSTEINER 2009/03/05 CHECKED BY: CHYKDAELHAG 2009/03/05 APPROVED BY: SMITH 2009/03/05	QUALITY SYMBOLS	GENERAL TOLERANCES (UNLESS SPECIFIED)	DIMENSION STYLE	SCALE	DESIGN UNITS	THIRD ANGLE PROJECTION	
	▽=0 ▽=0	mm INCH 4 PLACES ± --- ± --- 3 PLACES ± --- ± .005 2 PLACES ± 0.13 ± .01 1 PLACE ± 0.25 ± --- ANGULAR ±1/2°	IN/MM 3:1	INCH	DATE 04/29/05	TITLE SABRE HEADER ASSY RT. ANGLE, 2-6 & 8 CIR. UL 1950 COMPLIANT	MOLEX INCORPORATED
	DRAFT WHERE APPLICABLE MUST REMAIN WITHIN DIMENSIONS	MATERIAL NO. SEE CHART	DATE DATE	DOCUMENT NO. SD-46007-001	SHEET NO. 4 OF 6	THIS DRAWING CONTAINS INFORMATION THAT IS PROPRIETARY TO MOLEX INCORPORATED AND SHOULD NOT BE USED WITHOUT WRITTEN PERMISSION	
	SIZE D						

